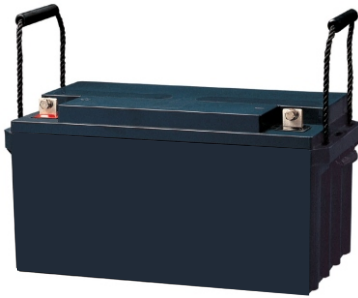




SLA BATTERY

RA12-70 12V70AH



RA Series

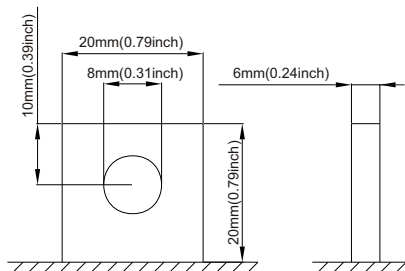
RA Series Valve Regulated Lead Acid batteries are designed with AGM (Absorbent Glass Mat) technology, special thicker plates and high purity electrolyte exerts stable performance with long life and the unique 2# additive gives higher capacity than its standard which widely used in the field of UPS, telecommunications.

Application

- | | |
|-------------------------|------------------------|
| Alarm System | Medical Equipment |
| Cable Television | UPS |
| Communication Equipment | Power tools |
| Control Equipment | Emergency Power System |
| Security System | Toys |

General Features

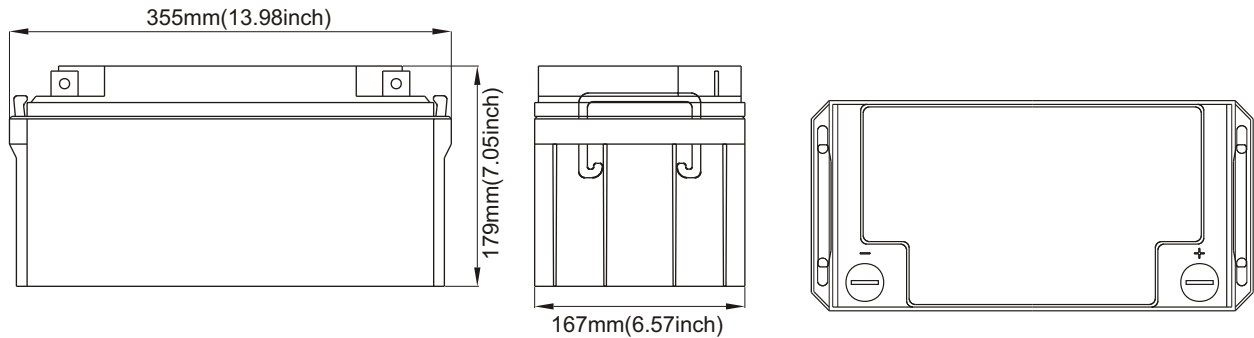
- Sealed and maintenance free operation.
- Non-Spillable construction design.
- ABS containers and covers(UL94HB, UL94V-0) optional.
- Safety valve installation for explosion proof.
- High quality and high reliability.
- Exceptional deep discharge recovery performance.
- Low self discharge characteristic.
- Flexibility design for multiple install positions.



Terminal Dimensions

Construction

- | | | | |
|-----------|-------------------|--------------|--------------------|
| Component |Raw material | Sealant |Epoxy Resin |
| Positive |Lead dioxide | Safety valve |EPDR |
| Negative |Lead | Terminal |Pb Alloy |
| Container |ABS | Separator |Fiber glass |
| Cover |ABS | Electrolyte |Sulfuric acid |

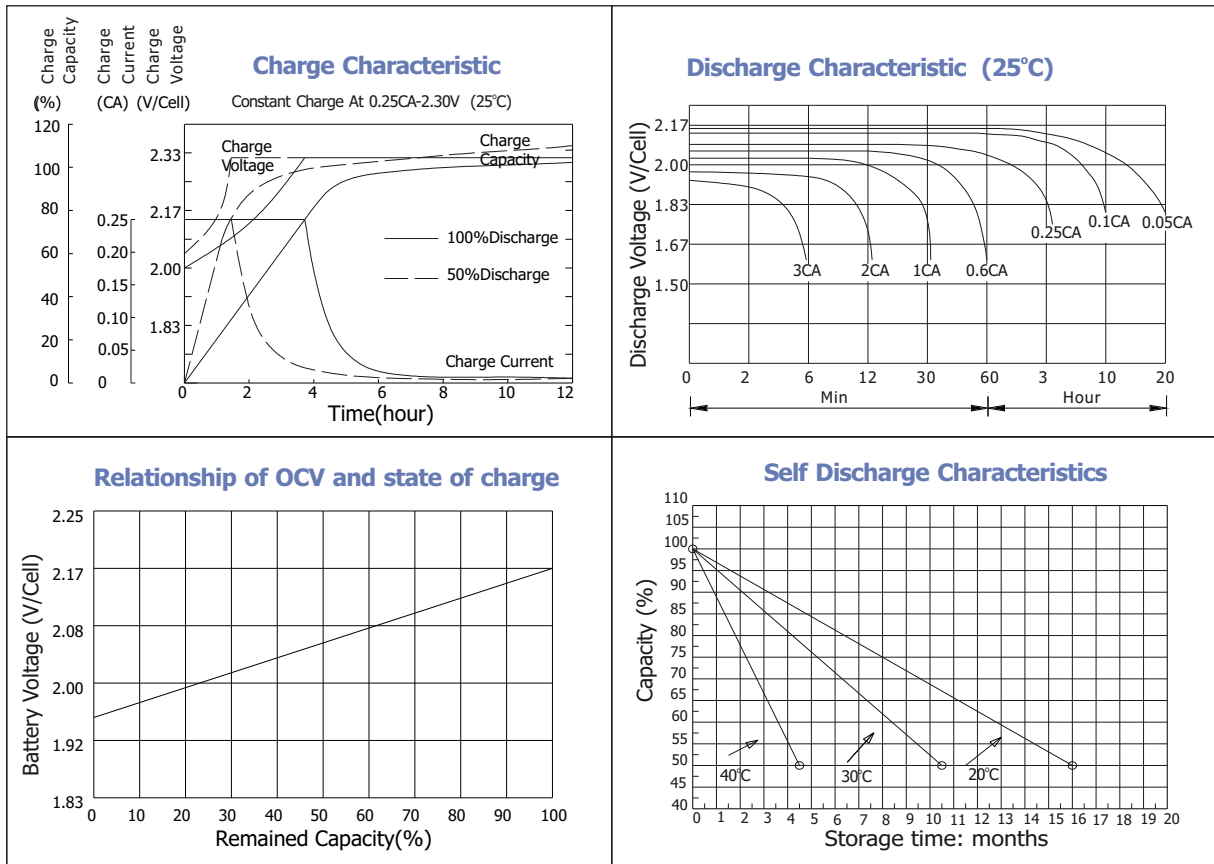


| | | | | |
|----------------------------------|---|------------------|-----------------------|-----------------|
| Battery Model | RA12-70 | | | |
| Designed Floating Life | 8 Years | | | |
| Capacity(25°C) | 20HR(3.6A,1.75V) | 10HR(7.0A,1.75V) | 5HR(12A,1.75V) | 1HR(42A,1.75V) |
| | 72AH | 70AH | 60AH | 42AH |
| Dimensions | Length | Width | Height | Total Height |
| | 350mm(13.78inch) | 166mm(6.54inch) | 179mm(7.05inch) | 179mm(7.05inch) |
| Approx. Weight | 23Kg (50.76 lbs) | | | |
| Internal Resistance | Full charged at 25°C: 0.0057 Ohm | | | |
| Self Discharge | 3% of capacity declined per month at (25°C) | | | |
| Capacity Affected by Temp.(20HR) | 40°C | 25°C | 0°C | -15°C |
| | 102% | 100% | 85% | 65% |
| Charge Voltage(25°C) | Cycle use | | Float use | |
| | 14.4-15V(-30mV/ °C), max. Current: 17.5A | | 13.6-13.8V(-20mV/ °C) | |



SLA BATTERY

RA12-70 12V70AH



Constant current discharge ratings-amperes at 25°C

| F.V/Time | 5MIN | 10MIN | 15MIN | 30MIN | 1HR | 3HR | 5HR | 10HR | 20HR |
|----------|------|-------|-------|-------|------|------|------|------|------|
| 1.60V | 245 | 168 | 123 | 73.5 | 46.2 | 19.1 | 13.4 | 7.42 | 3.69 |
| 1.67V | 221 | 153 | 119 | 71.4 | 46.1 | 19.0 | 13.2 | 7.31 | 3.68 |
| 1.70V | 209 | 148 | 115 | 70.0 | 46.0 | 19.0 | 13.2 | 7.25 | 3.68 |
| 1.75V | 186 | 137 | 109 | 68.6 | 45.5 | 18.9 | 13.1 | 7.13 | 3.66 |
| 1.80V | 168 | 127 | 104 | 66.5 | 44.9 | 18.8 | 13.0 | 7.01 | 3.53 |
| 1.85V | 127 | 104 | 89.6 | 61.2 | 44.5 | 18.8 | 12.9 | 6.88 | 3.32 |

Constant power discharge ratings-watts at 25°C

| F.V/Time | 5MIN | 10MIN | 15MIN | 30MIN | 1HR | 3HR | 5HR | 10HR | 20HR |
|----------|------|-------|-------|-------|------|------|------|------|------|
| 1.60V | 404 | 279 | 217 | 139 | 91.0 | 36.7 | 25.6 | 14.8 | 7.38 |
| 1.67V | 383 | 275 | 215 | 136 | 88.0 | 36.7 | 25.6 | 14.6 | 7.35 |
| 1.70V | 358 | 268 | 211 | 132 | 85.7 | 36.7 | 25.6 | 14.5 | 7.35 |
| 1.75V | 333 | 251 | 199 | 129 | 84.9 | 36.1 | 25.3 | 14.3 | 7.32 |
| 1.80V | 299 | 233 | 187 | 125 | 83.4 | 35.6 | 24.9 | 14.0 | 7.06 |
| 1.85V | 239 | 193 | 163 | 115 | 82.7 | 35.5 | 24.5 | 13.8 | 6.64 |



ISO9001:2000 Certificate



G4M20206-0910-E-16



MH28539



RBRC

