



SLA BATTERY

RT 628 6V2.8AH



RT Series

RT Series Valve Regulated Lead Acid batteries is designed with AGM (Absorbent Glass Mat) technology, special thicker plates and high purity electrolyte exerts stable performance with long life and the unique 2# additive gives higher capacity than its standard which widely used in the field of UPS, Emergency Lighting System ect.

Application

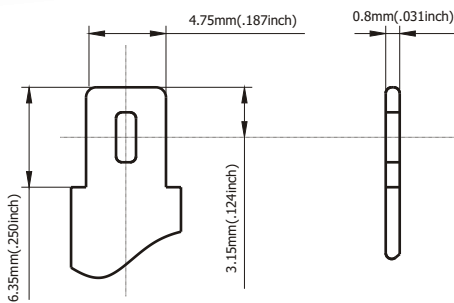
Alarm System	Medical Equipment
Cable Television	UPS
Communication Equipment	Power tools
Control Equipment	Emergency Power System
Security System	Toys

General Features

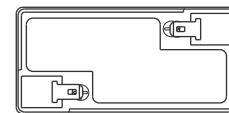
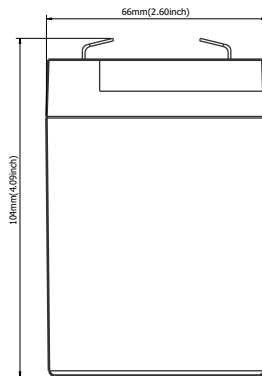
- Sealed and maintenance free operation.
- Non-Spillable construction design.
- ABS containers and covers(UL94HB, UL94V-0) optional.
- Safety valve installation for explosion proof.
- High quality and high reliability.
- Exceptional deep discharge recovery performance.
- Low self discharge characteristic.
- Flexibility design for multiple install positions.

Construction

ComponentRaw material	SealantEpoxy Resin
PositiveLead dioxide	Safety valveEPDR
NegativeLead	TerminalCopper
ContainerABS	SeparatorFiber glass
CoverABS	ElectrolyteSulfuric acid



Terminal Dimensions

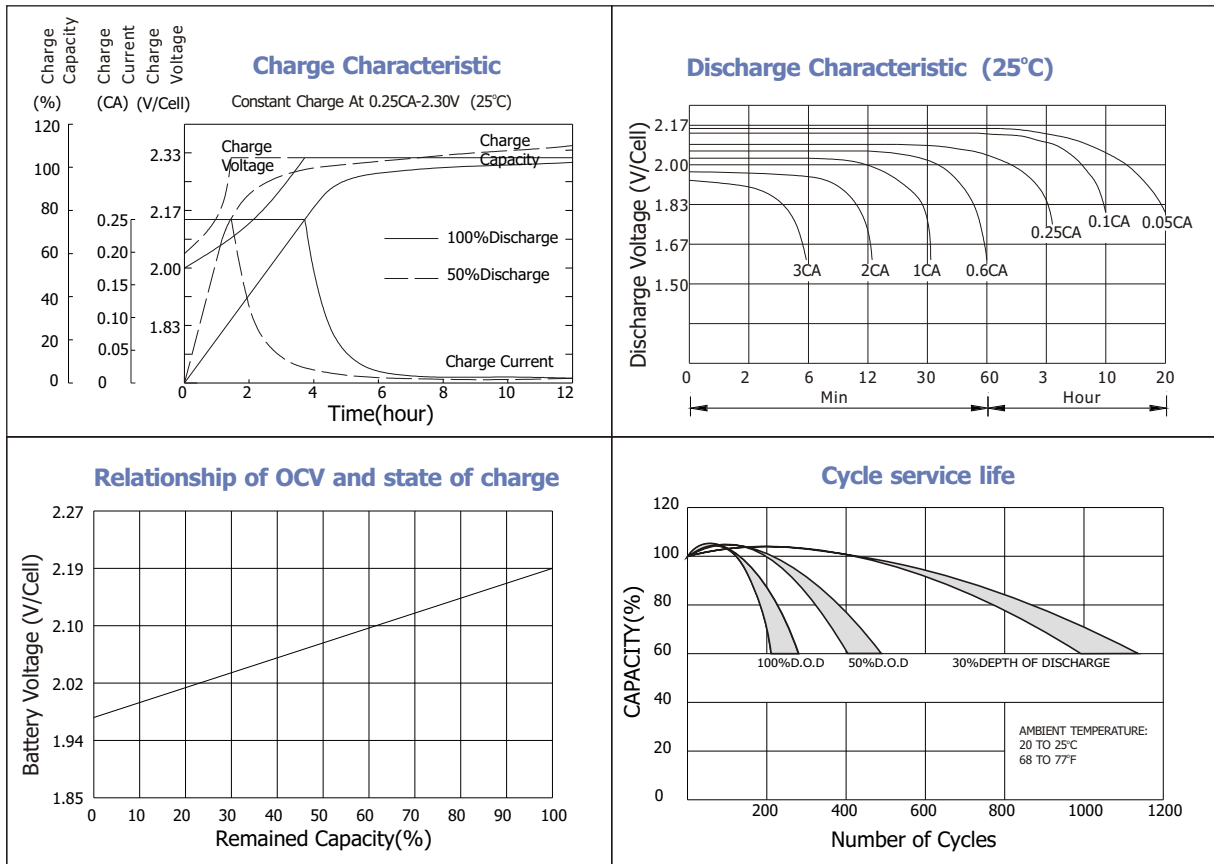


Battery Model	RT 628 6V2.8AH			
Designed Floating Life	5 Years			
Capacity(25°C)	20HR(0.14A,1.75V)	10HR(0.26A,1.75V)	5HR(0.47A,1.75V)	1HR(1.82A,1.75V)
	2.8AH	2.6AH	2.35AH	1.82AH
Dimensions	Length	Width	Height	Total Height
	66mm(2.60inch)	33mm(1.30inch)	98mm(3.86inch)	104mm(4.09inch)
Approx. Weight	0.61Kg (1.34 lbs)			
Internal Resistance	Full charged at 25°C: 0.025 Ohm			
Self Discharge	3% of capacity declined per month at (25°C)			
Capacity Affected by Temp.(20HR)	40°C	25°C	0°C	-15°C
	102%	100%	85%	65%
Charge Voltage(25°C)	Cycle use		Float use	
	7.2-7.5V(-15mV/ °C), max. Current: 0.84A		6.8-6.9V(-10mV/ °C)	



SLA BATTERY

RT 628 6V2.8AH



Constant current discharge ratings-amperes at 25°C

F. V/Time	5MIN	10MIN	15MIN	30MIN	1HR	3HR	5HR	10HR	20HR
1.60V	10.94	6.81	5.13	3.13	1.99	0.87	0.53	0.30	0.16
1.67V	10.27	6.46	4.94	2.99	1.96	0.84	0.52	0.30	0.15
1.70V	9.41	6.22	4.82	2.72	1.90	0.78	0.51	0.29	0.15
1.75V	9.22	6.03	4.67	2.59	1.81	0.76	0.50	0.29	0.15
1.80V	8.25	5.76	4.24	2.40	1.70	0.73	0.47	0.29	0.14
1.85V	7.28	5.48	3.81	2.21	1.58	0.70	0.44	0.28	0.14

Constant power discharge ratings-watts at 25°C

F. V/Time	5MIN	10MIN	15MIN	30MIN	1HR	3HR	5HR	10HR	20HR
1.60V	19.2	12.3	9.37	5.64	3.59	1.55	0.90	0.60	0.31
1.67V	18.5	12.0	9.26	5.52	3.57	1.50	0.90	0.59	0.30
1.70V	17.4	11.9	9.18	5.17	3.50	1.43	0.89	0.59	0.30
1.75V	17.5	11.8	9.10	5.02	3.44	1.40	0.88	0.58	0.29
1.80V	16.1	11.6	8.44	4.78	3.24	1.36	0.85	0.57	0.28
1.85V	14.6	11.1	7.65	4.48	3.05	1.32	0.82	0.57	0.27



ISO9001:2000 Certificate



G4M20206-0910-E-16



MH28539



RBRC

